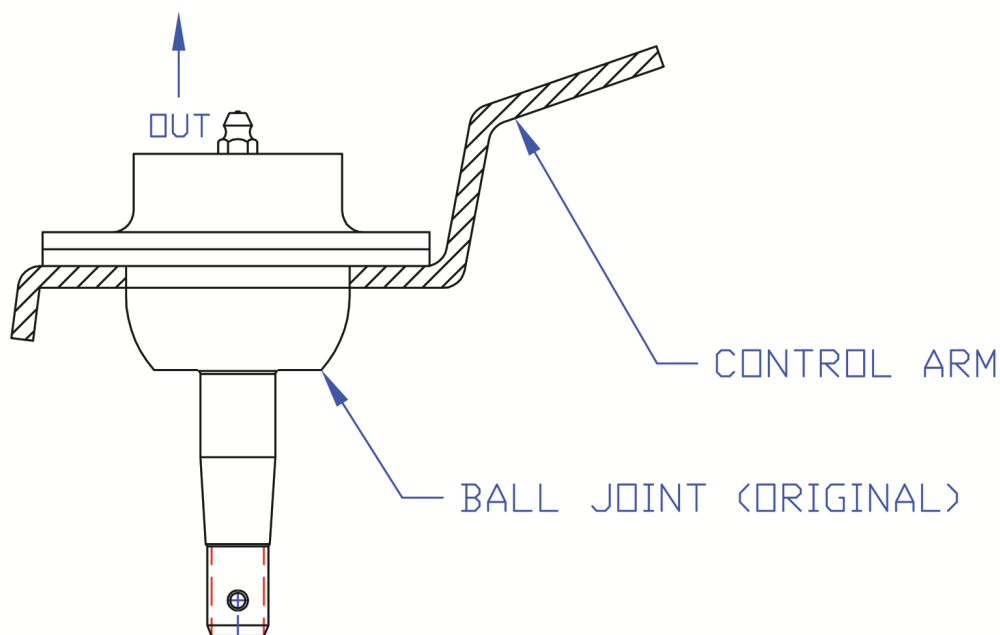
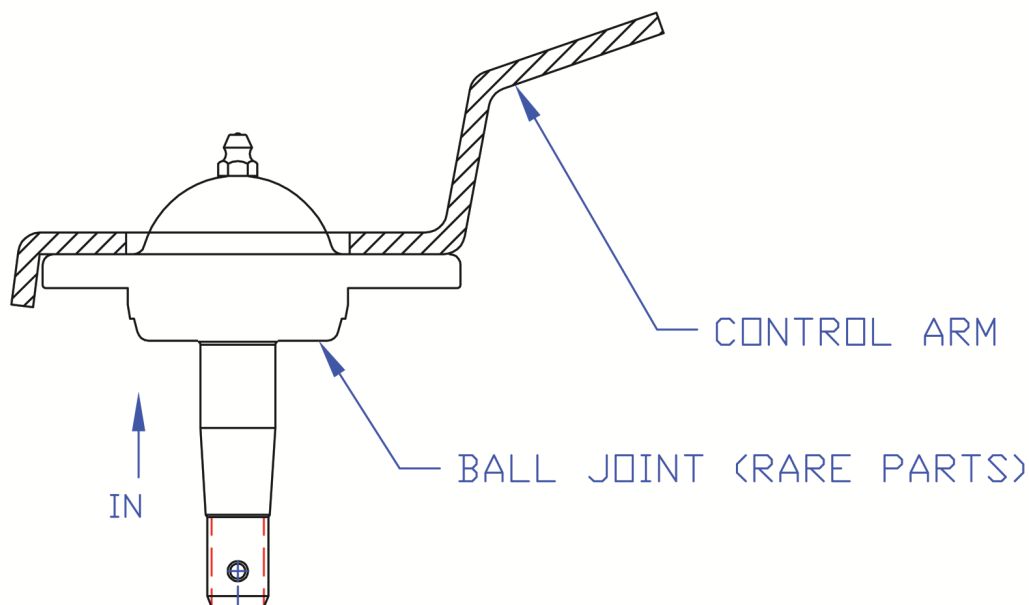


# RP10158/RP10159 INSTRUCTION SHEET



1. Drill out rivets retaining the original ball joint ( $21/64$ " bit)
2. Remove ball joint from the top of the control arm.



3. Clean the arm and insert the RARE PARTS ball joint from the bottom as shown. Replacement ball joint is designed to insert from the bottom.
4. Not all bolt holes will line up - this is normal. Insert as many bolts as possible, install lock washers and torque nuts to 30 ft-lbs.
5. Drill the remaining holes to allow all 4 bolts to clear.
6. Install remaining bolts, lock washers and nuts - torque to 30 ft-lbs.
7. Install dust boot and reassemble.